

Ball Valves for clean applications

- Locking device available on request
- 100% air tested under water at 100psi, Open and closed positions.
- Hydrostatic test pressure 1/4"-2" 1,500psi, 2 1/2"-4" 1,200psi.

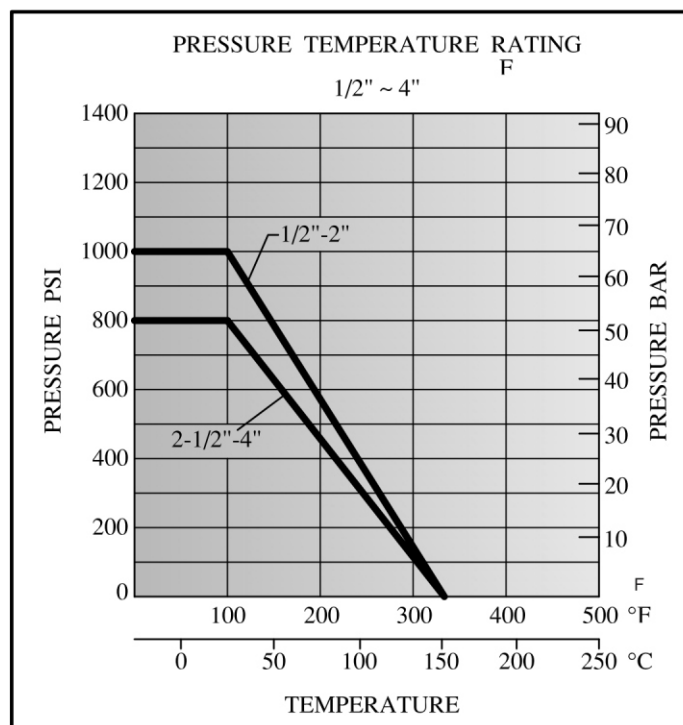
Standard End : Weld & Clamp-End
Other like SMS, DIN, RJT, etc.
available on request.

Features:

- Full enclosed cavity filler design.
- 3 piece body design for easy inline maintenance.
- Valve & Ball bore corresponds to US OD piping ID for true unobstructed flow path.
- Integral ISO 5211 mounting pad.

Applications:

- Clean steam
- Clean dry air & gas
- Fine chemicals
- Food & Beverage applications.



BALL VALVE - CAVITY FILLED



Options:

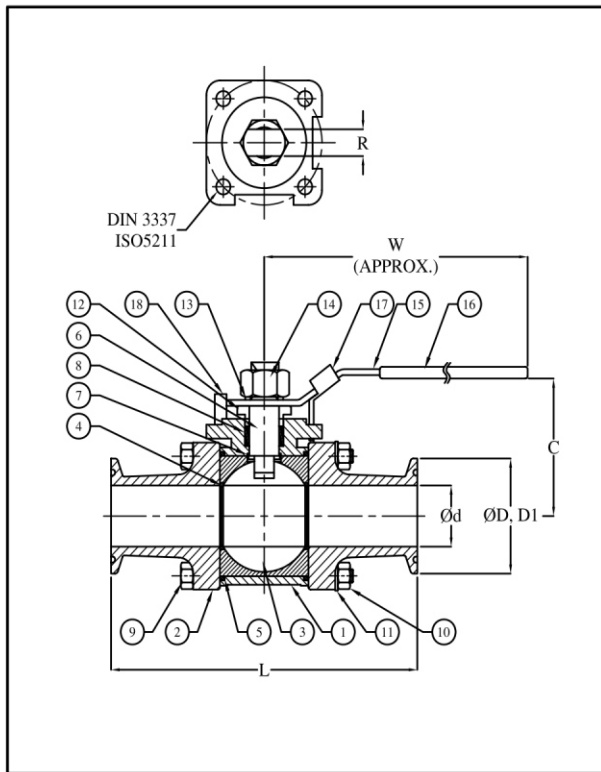
- Electro polished version available.
- Can be provided with 0.5 Ra mechanical polished internals.
- 3 way L-port version.
- SS 316L construction valves with cast / forged body options available

Actuations & Accessories:

- Pneumatic & Electric actuation Actuator.
- Solenoid valve, Limit Switch, Air Filter Regulators, Positioners.
- Valves can be provided with Network cards for foundation field bus / Profibus / HART capabilities.

Specification for Clamp & Weld End

SIZE	DN	ISO 5211	C	L	W	Od	OD	Od1	R	L1
1/2"	15	F03	60	89	132	9.5	25.4	12.7	5	32.75
3/4"	20	F03	64.5	101	131.5	15.8	25.4	19.05	5	36.5
1"	25	F04	69.2	114	165	22.2	50.4	25.4	6.5	40
1-1/2"	40	F05	89.26	140	194.3	35	50.4	38.1	8.5	43.5
2"	50	F05	97.26	156	194.3	47.6	63.9	50.8	8.5	45.75
2-1/2"	65	F07	126.8	197	252	60.3	77.5	63.5	12	56
3"	80	F07	135.3	229	252	73	90.9	76.2	12	64.5
4"	100	F10	158.8	242.7	332	97.4	118.9	101.6	16	60.6



NO.	PART NAME	MATERIAL
1	BODY	ASTM-A351-CF8M
2	CAP	ASTM-A351-CF8M
3	BALL	ASTM-A351-CF8M
4	SEAT	PTFE
5	GASKET	PTFE
6	STEM	SS 316
7	THRUST WASHER	PTFE
8	STEM PACKING	PTFE
9	BOLT	SS 304
10	HEX NUT	SS 304
11	BOLT WASHER	SS 304
12	GLAND	SS 304
13	WASHER	SS 304
14	NUT	SS 304
15	HANDLE	SS 304
16	PLASTIC COVER	PLASTIC
17	LOCK DEVICE	SS 304
18	STOP PIN	SS 304

TECNİK FLUID CONTROLS PVT. LTD.



B-504, Mangalya, Off Marol Maroshi Road Marol.
Andheri (East). Mumbai - 400 059.
Maharashtra (INDIA)

Phone : 022-4973 3100 / 3101 / 3102

E- Mail : info@tecnik.in

Website : www.tecnikfluid.com

W-124, MIDC, Boisar
Dist : Palghar - 401506.
Maharashtra (India)